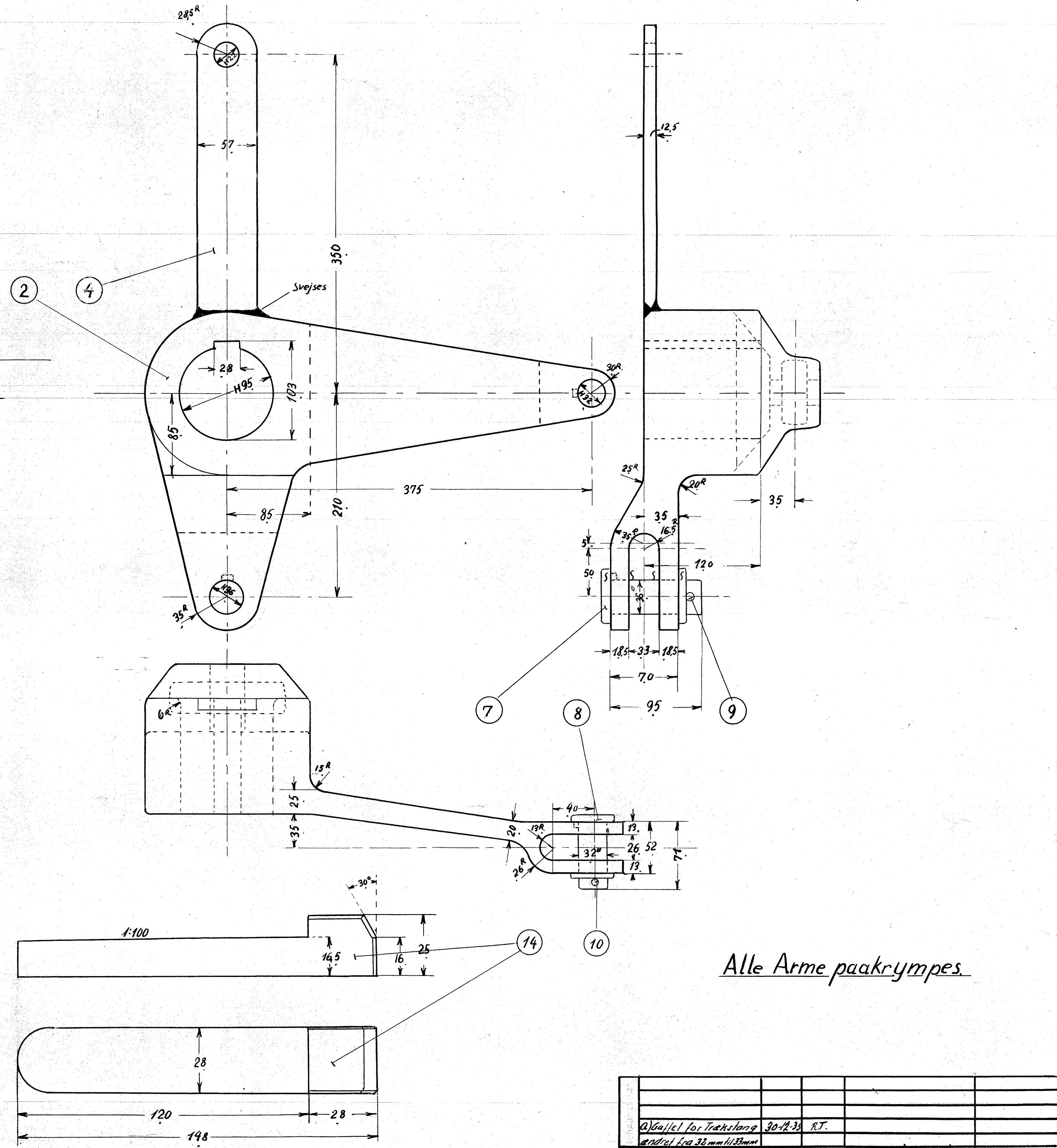
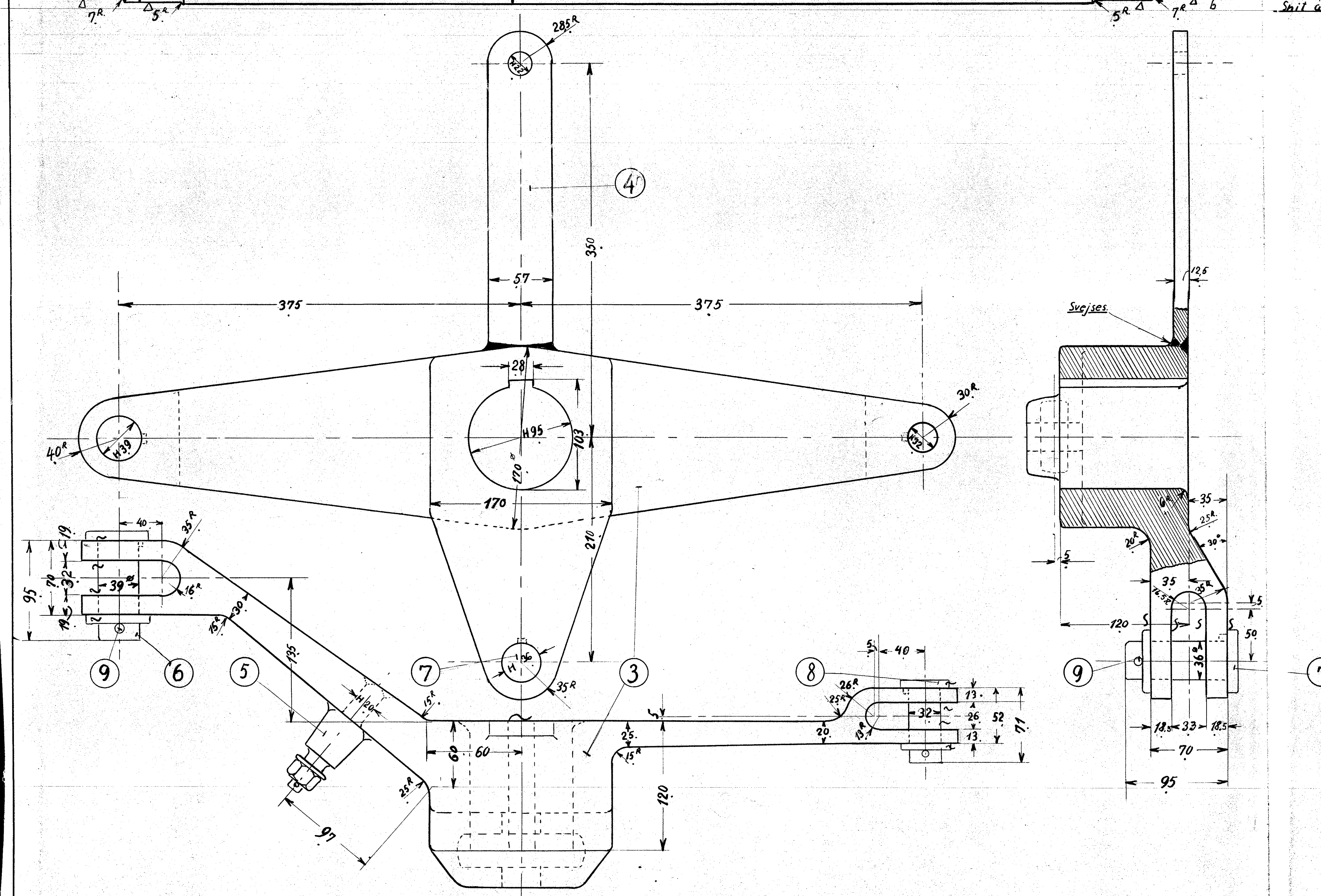


60161			
1	Aksel	1	Flussj 115 ^{mm} x 2200
1	Arm	2	" 280x125
1	de.	3	" " " "
2	de passivsvjst	4	" " " 65x12,5x670
1	Medbringertap	5	" " 45x110
1	Splitbolt. Se Teg. L-2994	6	STKL. M.H.
2	" " " "	7	" " " "
2	" " " "	8	" " " "
3	Split 8 ^{mm} x60	9	Flussj Magasin
2	" 9 ^{mm} x50	10	" " " "
1	" 4 ^{mm} x20	11	" " " "
1	Sort Møtrik 5/8"	12	" " " "
1	Underlagsskive sort 5/8"	13	" " " "
2	Kile	14	q90 Staal 92x32x170



Alle Arme paakrympes.

Drejning for Trækstyring 30-12-35 RT.		1:5	TA
Skal tilføres 30 mm (1/2) Bore		1:25	TA
		1:1	15-11-35
Bremseaksler med Arme		137 L-22.11	
Diesel-ol. 200 HK Motorloka		12	